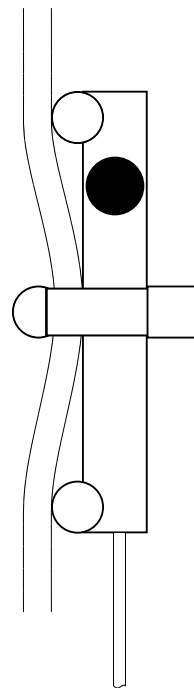
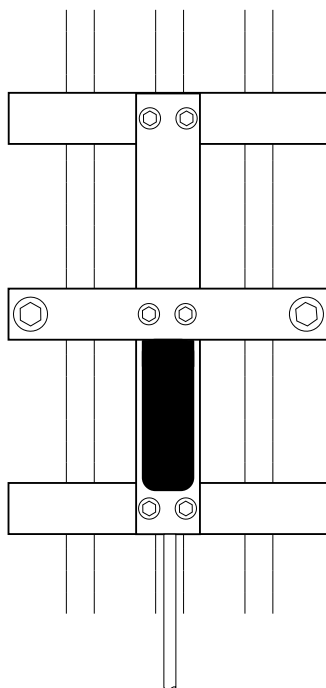
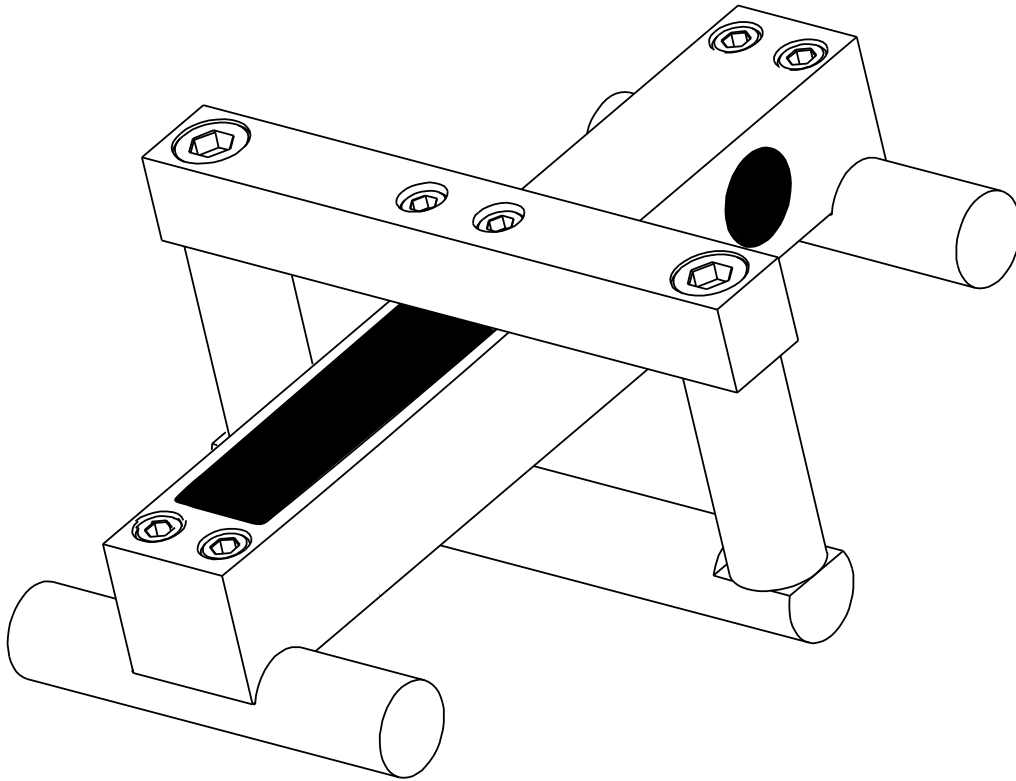
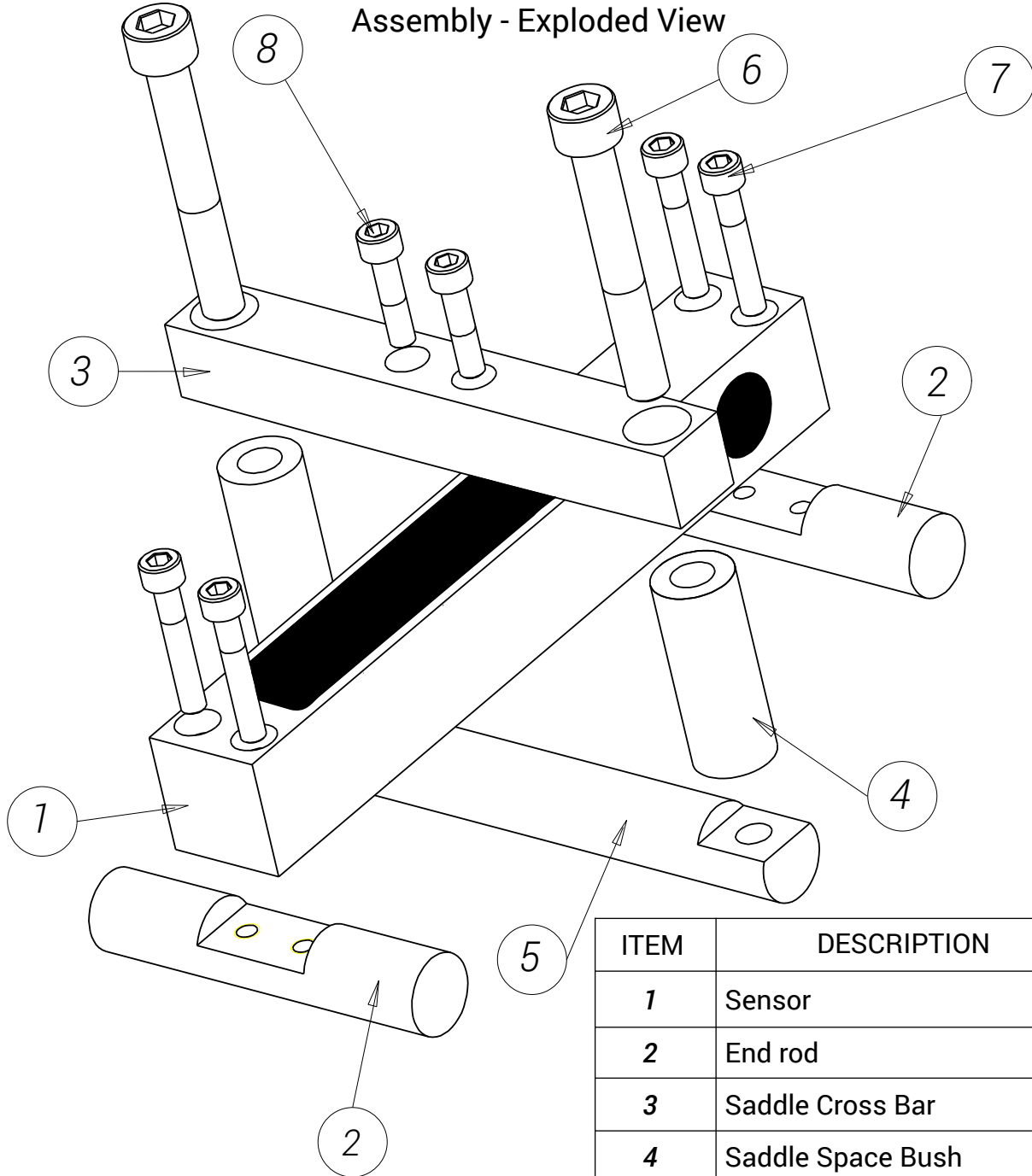


CRT-M SENSOR & MOUNTING KIT - SUPPLEMENTARY INFORMATION

Assembled - Unexploded View



CRT-M SENSOR & MOUNTING KIT - SUPPLEMENTARY INFORMATION



Use either 6a or 6b, which ever suits the application best.

ITEM	DESCRIPTION	QTY
1	Sensor	1
2	End rod	2
3	Saddle Cross Bar	1
4	Saddle Space Bush	2
5	Saddle Clamp Bar	1
6a	M10 - 1.5p x 70mm Cap Screw	2
6b	M10 - 1.5p x 90mm Cap Screw	2
7	M6 - 1.0p x 30mm Cap Screw	4
8	M6 - 1.0p x 25mm Cap Screw	2